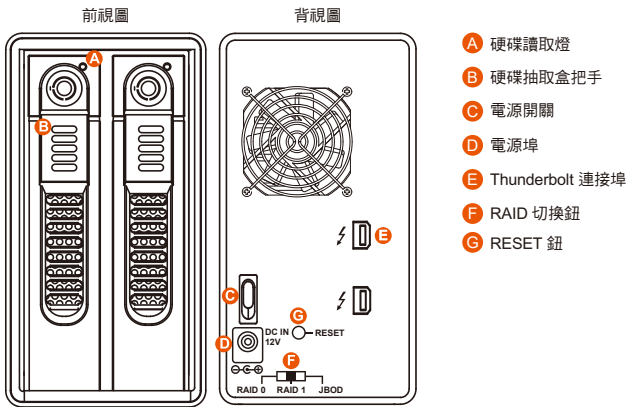


# RAIDON

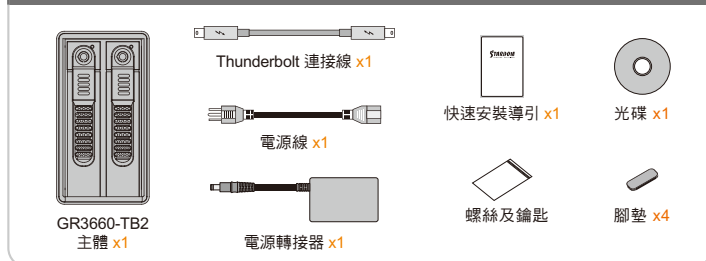
## GR3660-TB2 快速安裝導引

### 產品示意圖與配件表



打開包裝外盒後，包裝內容應包含下列組件：

#### 產品配件表

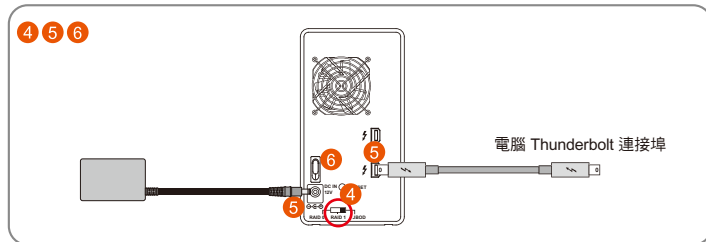


請先確認相關配件與產品本身是否有受損或是缺少配件，若有任何疑問，請與您的經銷商或業務人員聯絡。

V1.1 (Feb. 2017)

1

3. 硬碟安裝完成後，請將抽取盒平移放入主機內，並關上把手。
4. 透過機體背面的RAID模式開關，切換至JBOD模式。
5. 將相關連接線接上，最後接上電源轉接器。
6. 將機體背面的電源開關打開。



7.
  - a. 如機器啟動後，抽取盒燈號會由「紅燈恆亮 > 熄滅 > 藍燈恆亮」燈號，即為完成機器安裝設定。
  - b. 如機器啟動後，抽取盒燈號如出現「紅燈恆亮 > 熄滅 > 藍紫閃爍」燈號，請使用頂針插入「重置鍵」3秒後鬆開頂針，待燈號由「藍紫閃爍」燈號轉變為「藍燈恆亮」燈號時，即為完成機器安裝設定。
8. 機器安裝設定完成後，即可依需求設定RAID模式，請參考「產品使用注意事項/3. 切換RAID設定的標準程序」，做RAID模式切換設定。

3

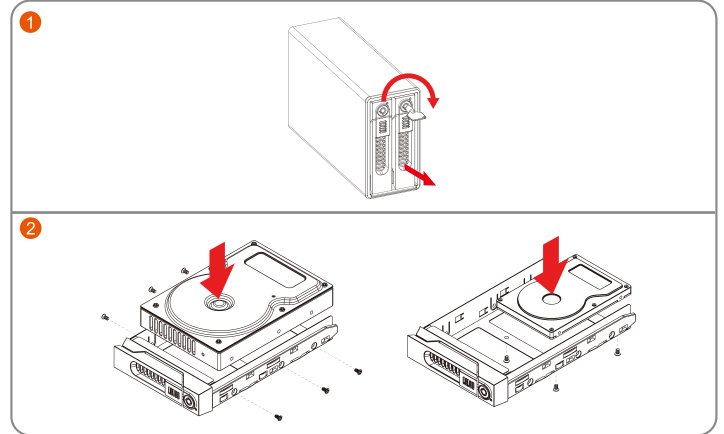
### 燈號說明

| 狀態          | 硬碟狀態燈    |
|-------------|----------|
| 電源開啟 / 無硬碟  | 紅燈恆亮     |
| 電源開啟 / 硬碟閒置 | 藍燈恆亮     |
| 資料重建(來源)    | 呼吸燈 (藍色) |
| 資料重建(目標)    | 紫燈恆亮     |

### 硬體安裝

請參照下列步驟，完成GR3660-TB2的硬體安裝：

1. 請使用零件包內附的鑰匙插入鑰匙孔後，抽取盒門將會輕彈開啟，即可將硬碟機抽取盒取出。
2. 將硬碟安裝到抽取盒上，並以零件包內附的螺絲加以固定，以避免不必要的移動對硬碟造成傷害。



2

### 產品使用注意事項

1. 第一次使用本產品進行設定時，資料會被全數清除。請於硬碟置入前，確認硬碟已備份，避免資料遺失。
2. GR3660-TB2開機下在電腦進入系統待命或是休眠狀態時，會一起進入待命狀態。當電腦恢復正常運作，則GR3660-TB2也會一併回復到正常使用狀態。
3. 切換RAID設定的標準程序：
  - 步驟1：請在GR3660-TB2連線到電腦後，一併打開電腦和ST2的電源開關。
  - 步驟2：請在藍燈恆亮時，將在GR3660-TB2背板上設定RAID設定的「切換開關」調到你所要的設定位置。
  - 步驟3：請使用頂針插入「重置鍵」，待前面板抽取盒上的閃爍藍紫燈結束、並轉成恆亮藍燈後鬆開頂針。
  - 步驟4：請您再做一次關、開GR3660-TB2電源的動作後，您已經改變、並重新設定了GR3660-TB2的RAID。
4. RAID 模式一旦設定完成，若要進行切換，因切換過程中將會清除硬碟中的資料，請務必先將硬碟中的資料另行備份後再行切換。
5. GR3660-TB2使用 12V/5A 規格 Adapter，請勿使用其他非原廠規格 Adapter 以免損壞機器及資料。
6. 強烈建議除了使用GR3660-TB2的資料儲存功能外，請針對重要資料備份到另一個儲存裝置上或遠端備份，雙重備份您重要的資料。若您儲存在GR3660-TB2的資料損毀或遺失，RAIDON 將不負任何的責任。

感謝您使用 銳銳科技股份有限公司 的產品。  
本手冊裡的資訊在出版前雖然已經被詳細確認，但實際產品規格將以出貨時為準；任何的產品規格或相關資訊更新，請您直接上 [www.RAIDON.com.tw](http://www.RAIDON.com.tw) 網站查詢，或是直接與您的業務聯絡窗口聯繫，本公司將不另行通知。

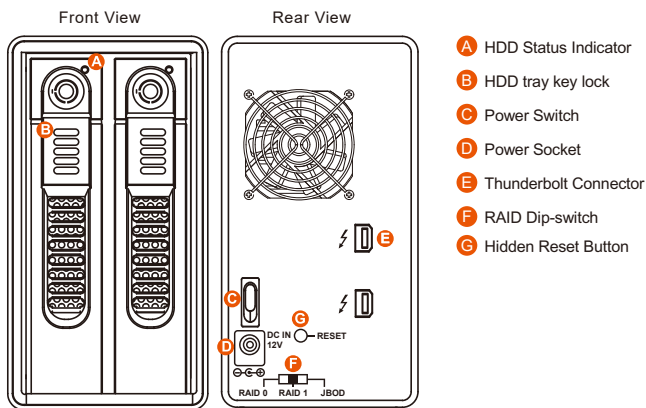
如果您對 銳銳科技 的產品有任何疑問，或是想獲得最新產品訊息、使用手冊或軟體，請您聯絡 [supporting@raidon.com.tw](mailto:supporting@raidon.com.tw)，我們將儘速回覆您。

4

# RAIDON

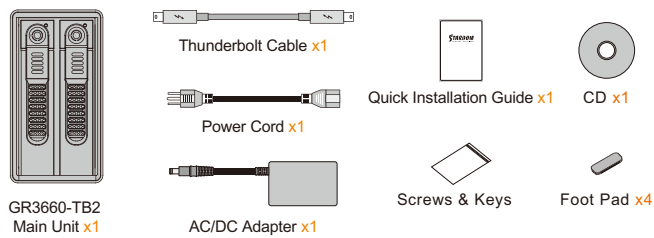
## GR3660-TB2 Quick Installation Guide

### Product Diagram & the Contents of Package



After you open the outside box, please make sure the following items/parts are contained in the box :

#### Contents of Product Package



Please check and make sure the product unit and all its accessories are without any physical damage or missing parts.

V1.1 (Feb. 2017)

1

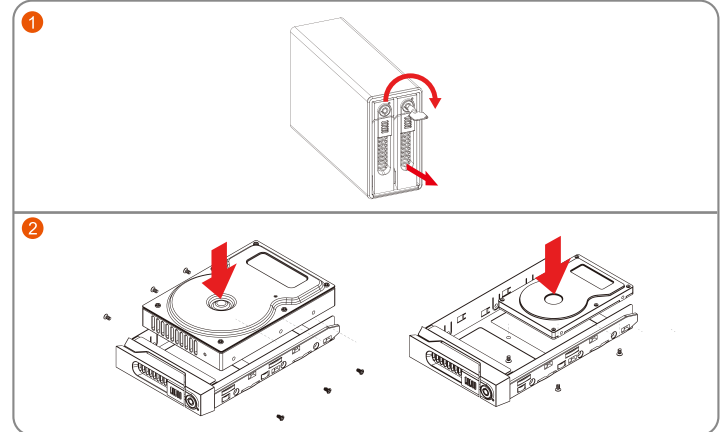
### The Indication of HDD Status

| Status              | LED Light Status     |
|---------------------|----------------------|
| Power ON / No HDD   | Solid Red Light      |
| Power ON / Two HDDs | Solid Blue Light     |
| Rebuilding-Source   | Breathing Blue Light |
| Rebuilding-Target   | Solid Purple Light   |

### Hardware Installation

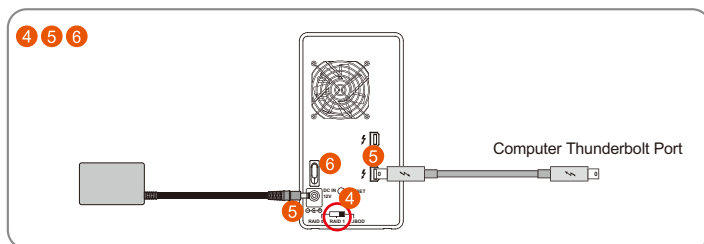
Please follow the following procedure to have your GR3660-TB2 installed:

- Use the provided key in the Accessories Kit and insert it into the Key Access to eject the Tray Latch handle and the handle can be used to extract the tray.
- Mount your hard drives onto the removable drive tray and secure them with the screws included in the accessory kit.



2

- After installing two HDDs into Trays, please insert them into GR3660-TB2, and then latch the tray handle.
- Please switch RAID Dip-switch to JBOD mode on back-plate.
- Please connect the Thunderbolt Cable, and then connect AC/DC Adapter to the product.
- Please turn on power.



- After turning on power, the HDD/SSD Indicator will be changed with the following sequence, Red > Off > Blue, and then, GR3660-TB2 is ready for use.
  - In case if the HDD/SSD Indicator shows Red > Off > Blue Flashing, please use a pin to press the RESET Button for 3 seconds, and wait until the HDD/SSD Indicator is changed to Blue from Blue Flashing, your GR3660-TB2 is then ready for use.
- While your GR3660-TB2 is ready for use, please adjust the RAID Setting per step 3 "in the Important Notice" on page 4. You can start now to use your GR3660-TB2.

3

### Important Notice

- Since GR3660-TB2 will erase all data files in your two HDDs/SSDs at its first-time use, it's very important that you save all your personal data files into another storage device before setting your up new GR3660-TB2.
- GR3660-TB2 will be forced to switch to SLEEP mode while your Mac Computer is in either IDLE or SLEEP mode.
- The Standard Procedure to Switch RAID Setting:
  - Please first connect GR3660-TB2 to your Mac.
  - Please set RAID Dip Switch to the position you demand.
  - Please use the Key to press the hidden RESET key at the back-panel, hold and wait for the Blue-Purple LED blinking, and continue to hold it till a stable Blue light comes out.
  - Please turn off your GR3660-TB2, and turn it back on again. You now have reset GR3660-TB2 with a new RAID mode successfully.
- WARNING:** if you decide to delete or switch your original RAID mode setting please always make sure you keep your personal data or files in another storage device.
- GR3660-TB2 uses a 12V/5V AC/DC Adapter. Please do not use other non-certified Power Adapter to avoid damaging your GR3660-TB2 unit.
- We strongly recommend you to keep an extra copy at your important personal data other than stored in your GR3660-TB2 product. RAIDON will not be responsible of your data loss in this device.

RAIDON reserve the right to revise all the information in this manual without further notice

Copyright © RAIDON TECHNOLOGY, INC. All rights reserved.

4