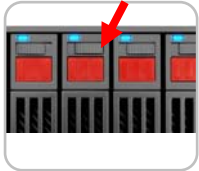


iS2880-8S-S2D

iS2880-8S-U5D

Good Performance & Easy to Upgrade to RAID Solution



Key Lock



2 x 6cm Fan

Given 8 bays JBOD storage delivers flexible solution for server or work station to expand its data storage capacity with limit space. The compact size only requires 2 x CD-ROM space and features tray design accepts 2.5-inch, 15mm high with high rotation speed of enterprise level hard drives and provides lower temperature conditions.



2 CD-ROM Bays

Coming with two different models, one is iS2880-8S-S2D equipped two SATA ports controlling 4 HDD by each SATA (port-multiplier); the other one is iS2880-8S-U5D carrying two sets of 4 lane internal miniSAS ports. Both can be upgraded to RAID solution either with SATA or SAS RAID card.

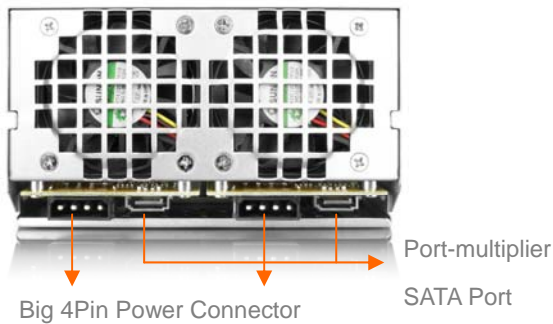
Key Features

- Accept 8x15mm high 2.5-inch SATA II hard drives to keep the system constant in the low temperature conditions.
- Compact size only needs 2 x CD-ROM space.
- Upgradeable to the RAID storage with SATA / SAS RAID card.
- 2 sets of 6cm fan with fan failed alarm system.
- Compatible with Windows, Linux.

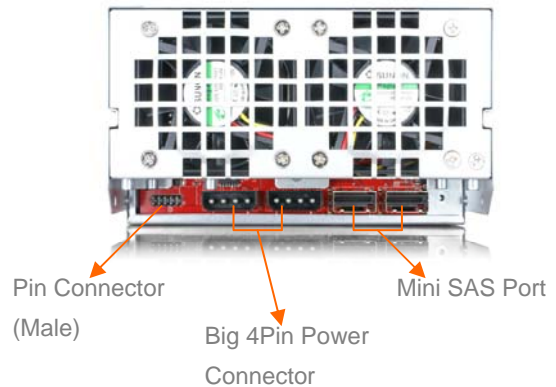


iS2880 Series in the Computer Server

iS2880-8S-S2D Back Panel



iS2880-8S-U5D Back Panel



Model No.	iS2880-8S-S2D	iS2880-8S-U5D
ASIC	Sil3726	N/A
Host Interface	SATA	MiniSAS
Support HDD	2.5-inch SATA II hard drive (fit 15mm high HDD)	2.5-inch SATA II / SAS hard drive (fit 15mm high HDD)
Number of HDD	8	
HDD Function	JBOD / 2 x Port Multiplier (individual drives volume)	JBOD (individual drives volume)
Support Hot-Swap	Yes	
The Largest Capacity	Actual tested 4TB (8 × 500GB), but chip itself could support 2TB (3.5" SATA)	
Cooling Fan	DC-12V / 6cm / 4300 rpm	
Power Supply	DC 5V & 12V	
LED Indicators	Overheat / Fan Failure / Power / Access	
Environment Detector	Temperature & Fan Failure Detector	
Operating System	Windows / Linux	
Certifications	CE / FCC	
Packing Content	Quick Installation Guide, Accessory Kit	Quick Installation Guide, 3x Big 4Pin Power Connector, Accessory Kit
Dimension	146 W×183.5 L×85 H mm	
Net Weight	1.7 kg	

The product specification is subject to change without notice.

Logistical Data			
Dimension of Article:	146 W×183.5 L×85 H mm	Net Weight:	S2D: 1.7 kg U5D: 1.6 kg
Dimension of Packing Box:	138 W×308 L×209 H mm	Gross Weight (incl. packing):	S2D: 2.1 kg U5D: 2 kg
Dimension/Carton:	310 W×640 L×590 H mm	Total Weight:	S2D: 17.7 kg/carton U5D: 17.2 kg/carton
Packing Unit:	8 units./carton	Country of Origin:	Taiwan
EAN-No.	S2D: 4711132862041 / U5D: 4711132862058		
UPC-No.	S2D: 884826502531 / U5D: 884826502548		