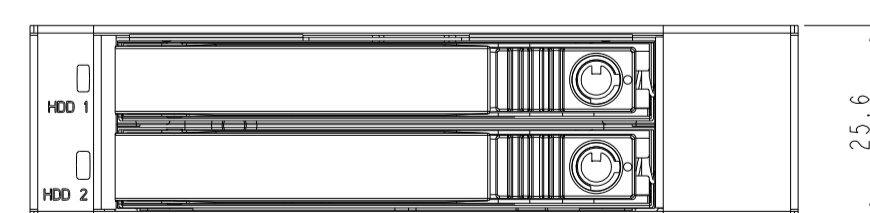
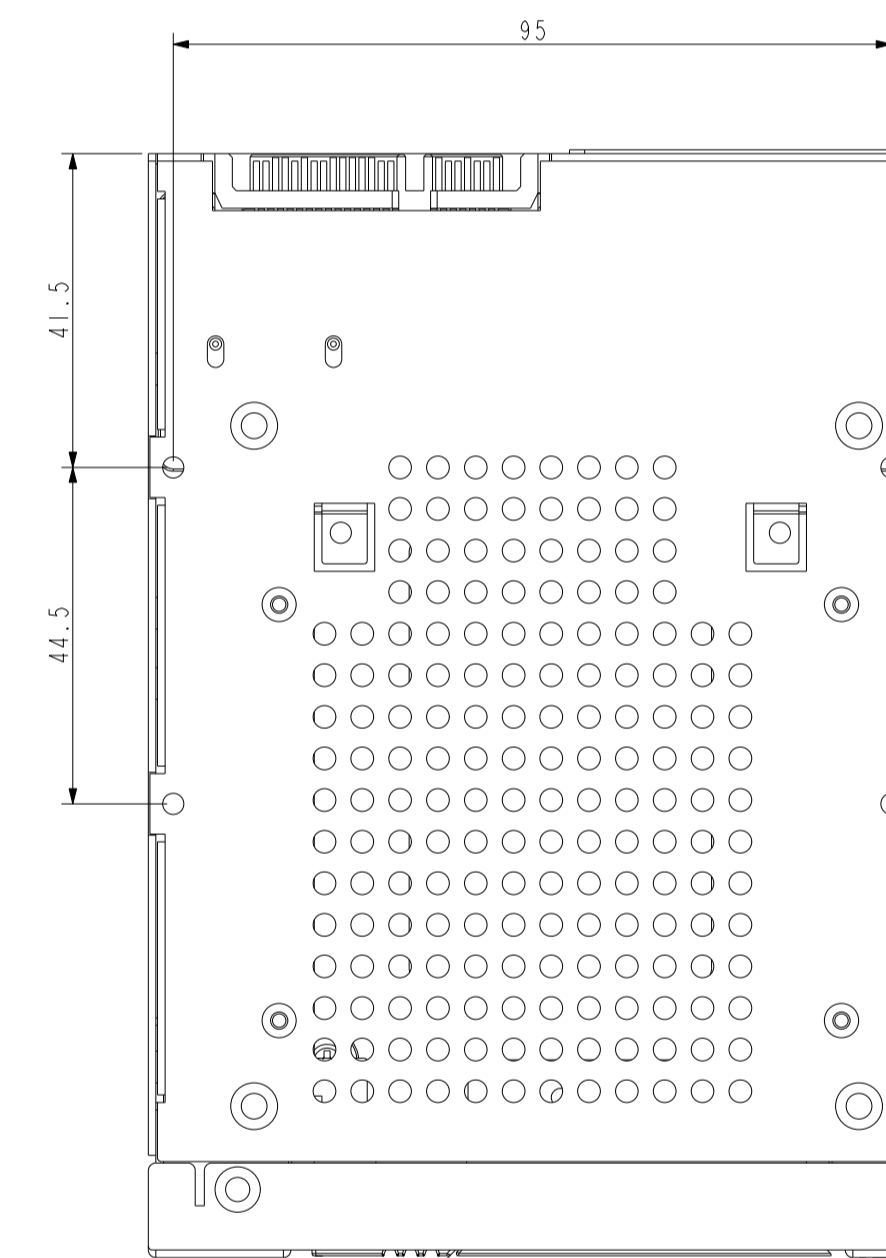
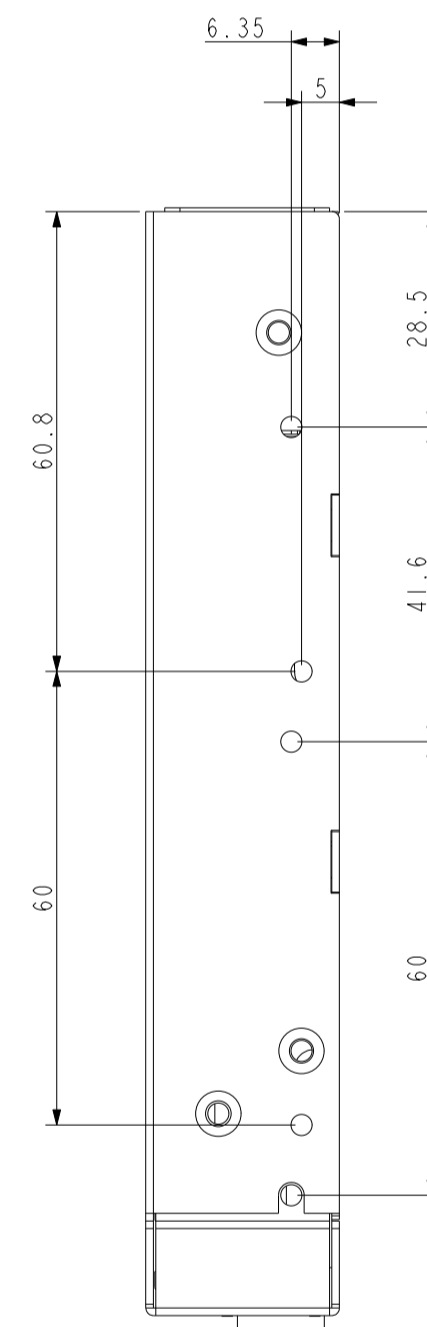
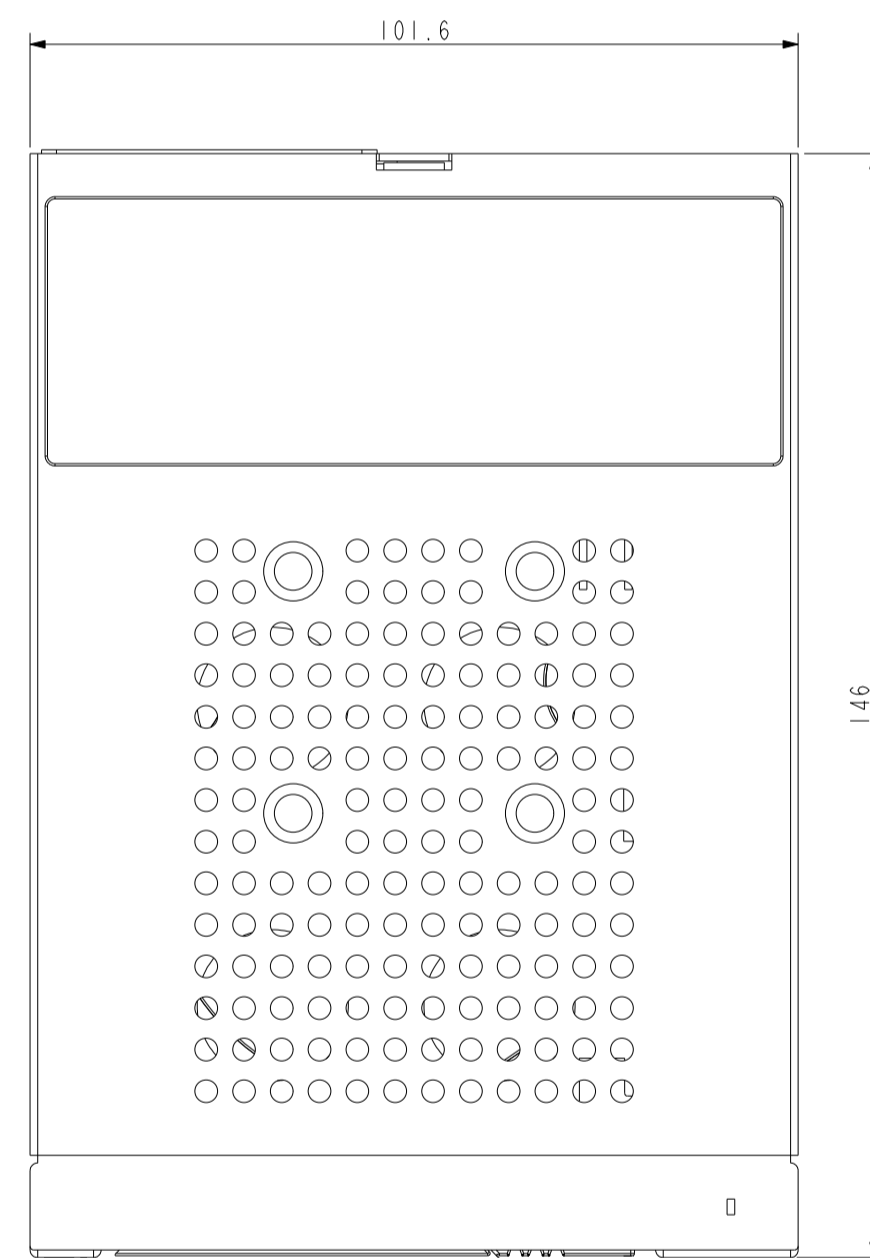
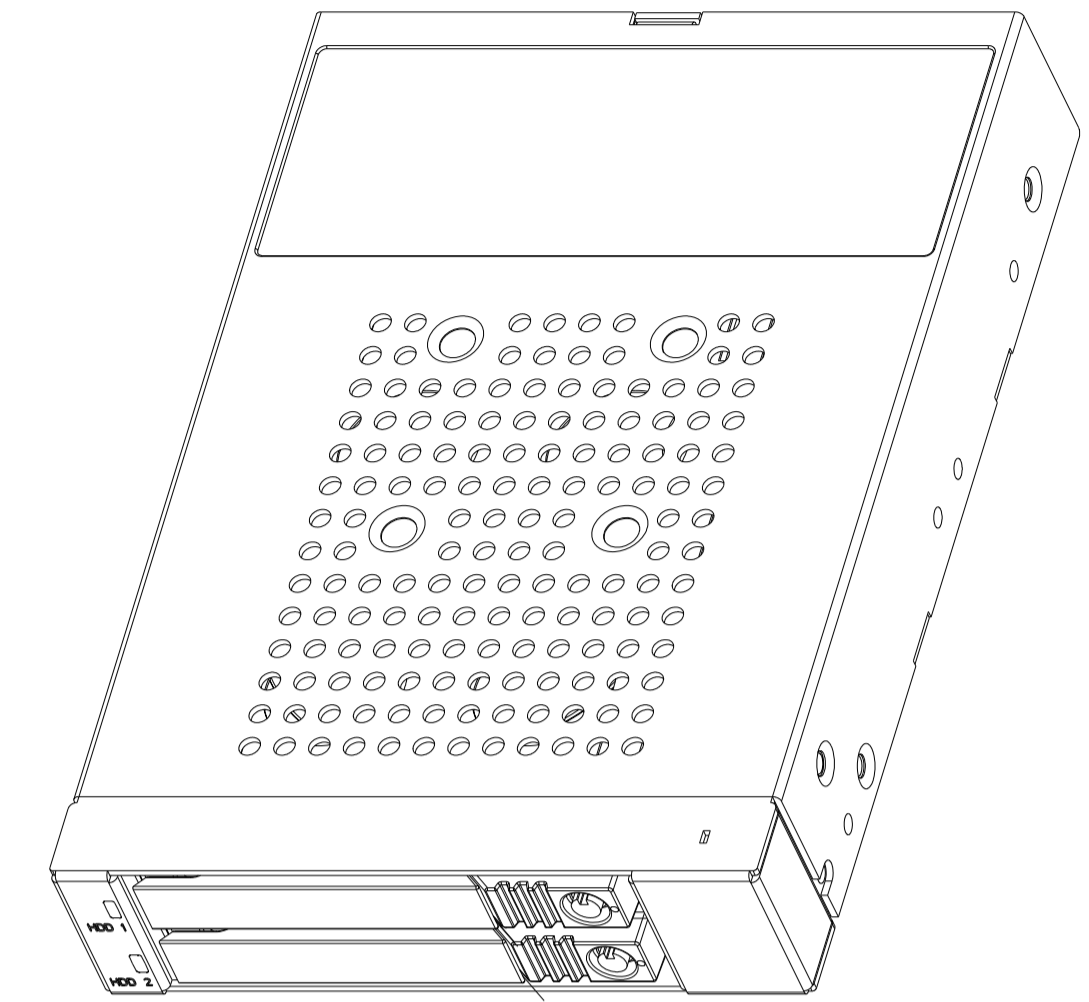
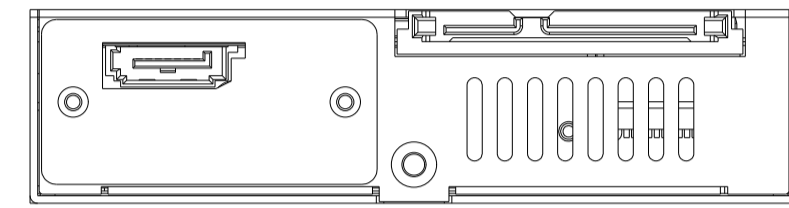


Revision History						
REV	EC No.	DATE(yy/mm/dd)	UPDATE DESCRIPTION	DESIGNER	APPROVE	REMARK
			As Shown	Calvin		



THIS DRAWING AND SPECIFICATIONS, HEREIN, ARE THE PROPERTY OF RAIDON INTERNATIONAL AND SHALL NOT BE REPRODUCED, COPIED, OR USED IN WHOLE OR IN PART AS THE BASIS FOR THE MANUFACTURE OR SALE OF ITEMS WITHOUT WRITTEN PERMISSION, RAIDON INTERNATIONAL.

MATERIAL (SPEC) ASSY		SCALE 1:1(1.1)		RAIDON CONFIDENTIAL				
FINISH		ANGLE						
SELECT V		UNIT mm		DESCRIPTION IT2777 機構外觀尺寸圖				
DIM TOL	A	B	C	SHEET 1 of 1	MODEL NO. IT2777	PART NO. -	REV 0.1	VER
0-5	±0.02	±0.05	±0.1	±0.2				
6-10	±0.05	±0.1	±0.15	±0.3				
11-50	±0.1	±0.15	±0.20	±0.5				
50-100	±0.15	±0.2	±0.25	±1				
101+	±0.15X	±0.2X	±0.25X	±1.0X				
				SHEET SIZE A1		DESIGNER Calvin		APPROVED