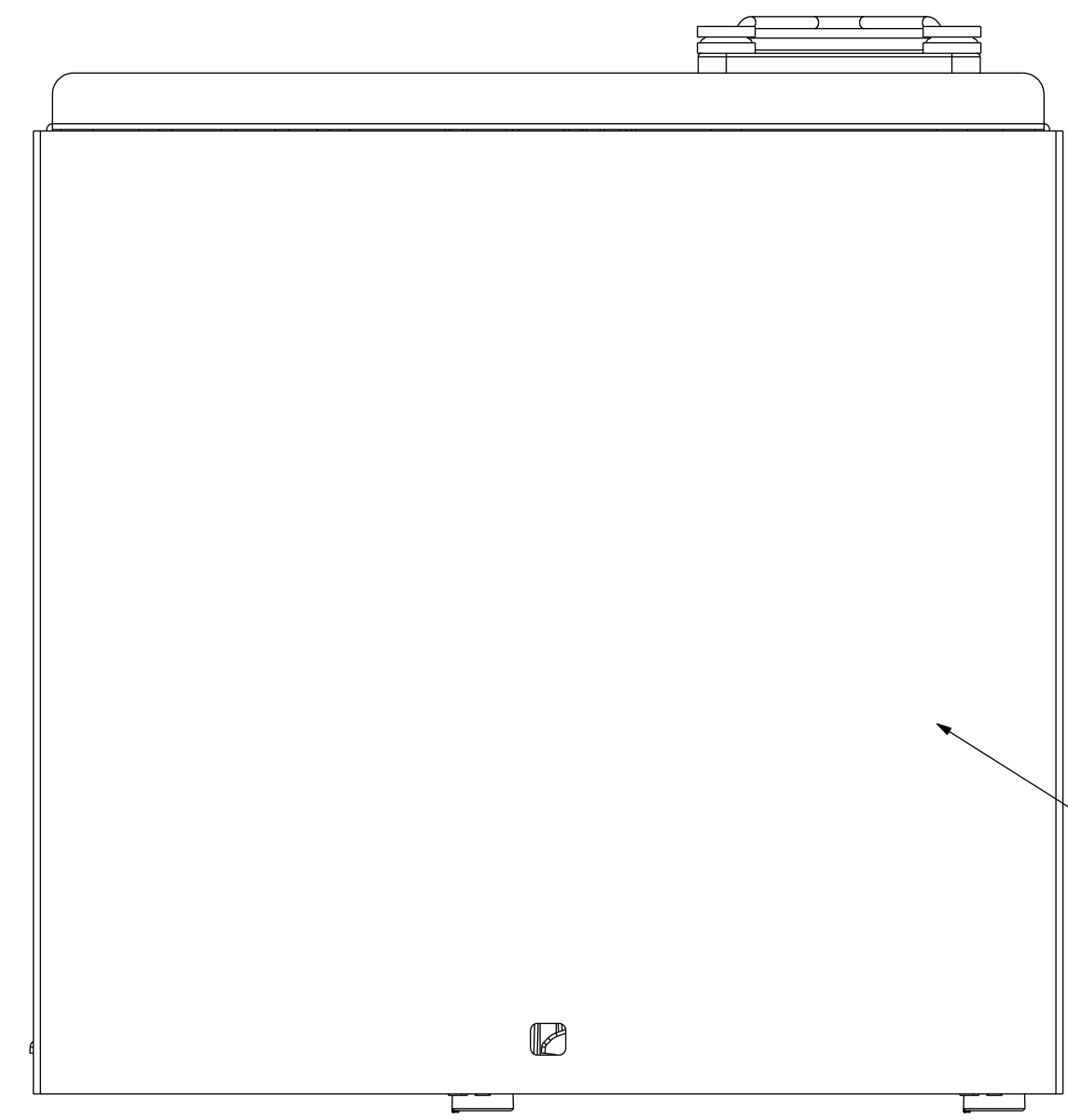
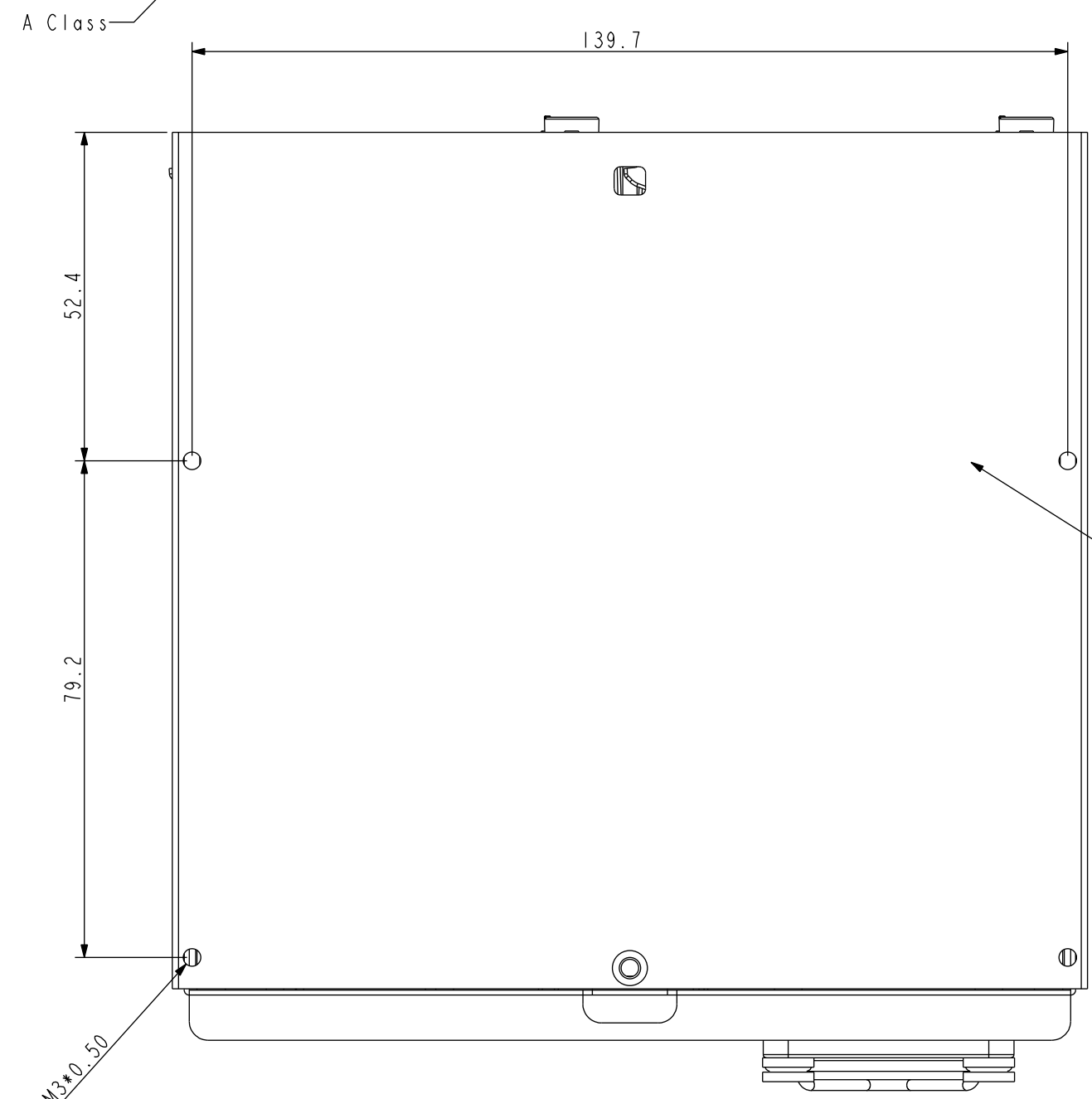
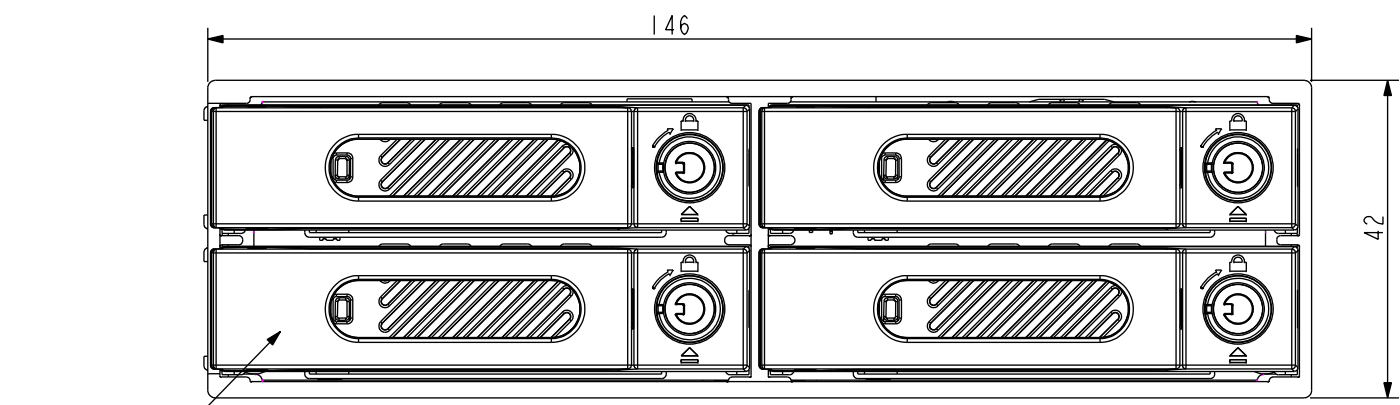
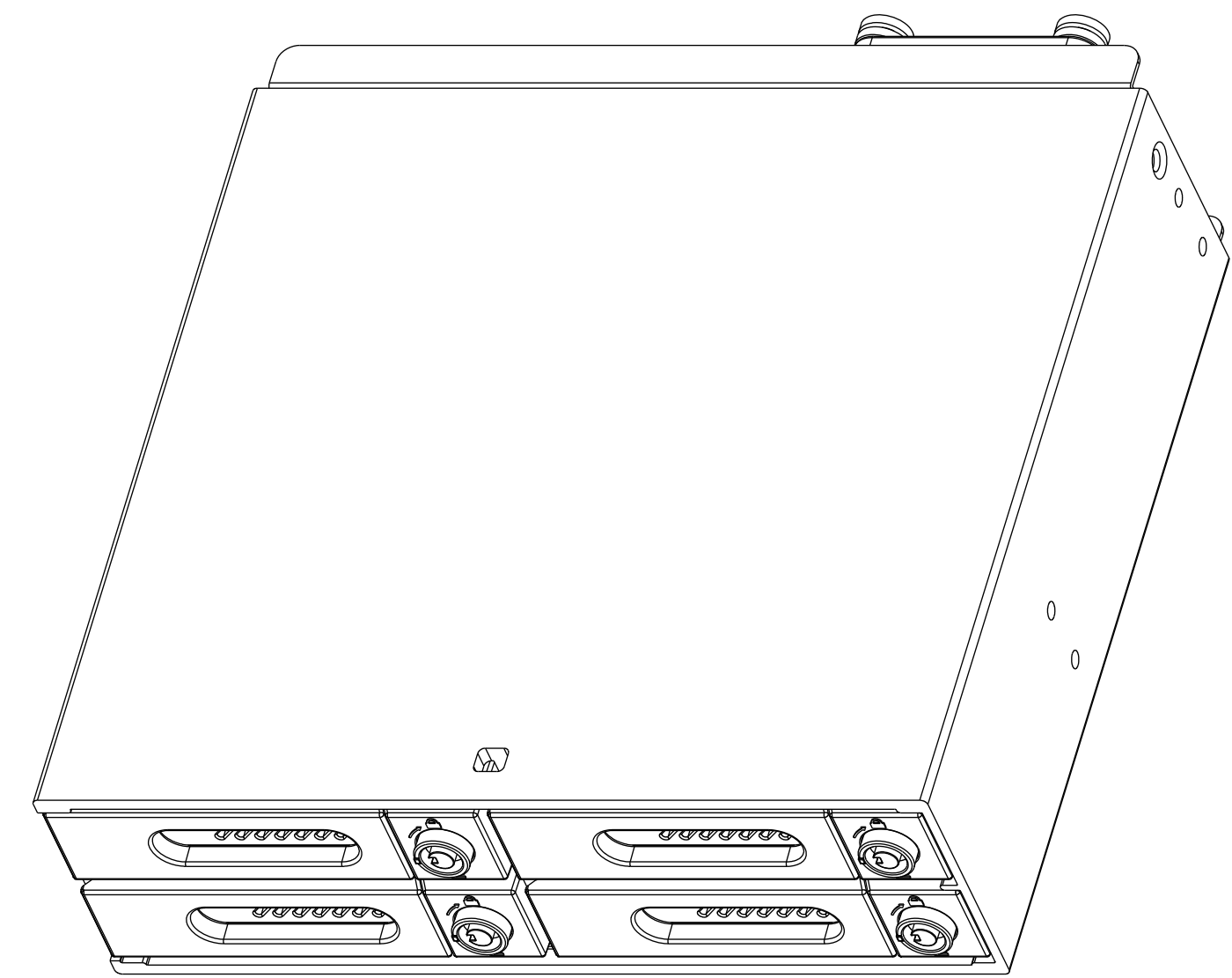


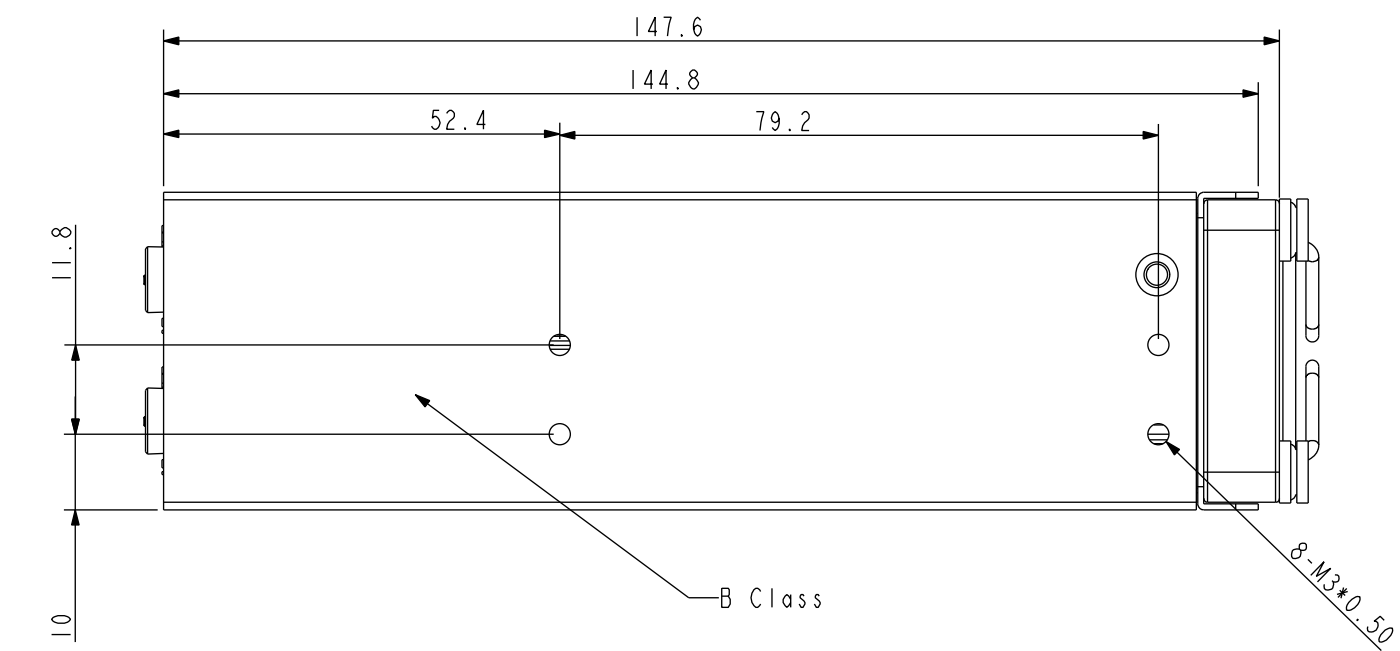
Revision History					DESIGNER	APPROVE	REMARK
REV	EC No.	DATE(yy/mm/dd)	UPDATE DESCRIPTION		Calvin		
			As Shown				



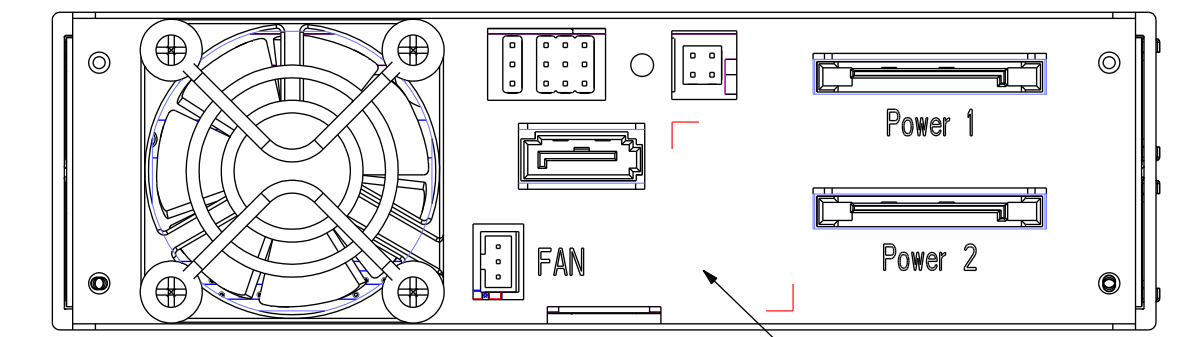
B Class



A Class



B Class



B Class

4-M2x0.50

8-M2x0.50

THIS DRAWING AND SPECIFICATIONS, HEREIN, ARE THE PROPERTY OF RAIDON INTERNATIONAL AND SHALL NOT BE REPRODUCED, COPIED, OR USED IN WHOLE OR IN PART AS THE BASIS FOR THE MANUFACTURE OR SALE OF ITEMS WITHOUT WRITTEN PERMISSION, RAIDON INTERNATIONAL.

MATERIAL (SPEC)				SCALE		RAIDON CONFIDENTIAL					
FINISH		ANGLE		1:1 (1.1)							
		0°-30° ±1°		UNIT		DESCRIPTION					
		31°-60° ±3°		mm		IR4300-S2 機構示意圖					
		61°-90° ±5°		SHEET		MODEL NO.		PART NO.		REV	
SELECT V				1 of 1		IR4300-S2				0.2	
DIM TOL	A	B	C			SHEET SIZE		DESIGNER		APPROVED	
0-5	±0.02	±0.05	±0.1			A1		Calvin			
6-10	±0.05	±0.1	±0.15								
11-50	±0.1	±0.15	±0.20								
50-100	±0.15	±0.2	±0.25								
101+	±0.15X	±0.2X	±0.25X								