

RAIDON



InTANK iR2775-S3

1 floppy bay 2 x 2.5" HDD/SSD RAID

New design with security locks and 2.5" hard drive storage array supporting 2 x 9.5 mm

RAIDON InTANK iR2775-S3 has a patented design that allows two 2.5" SATA drives to be fitted into one 3.5" drive space! It's equipped with optional RAID 0 to enhance the speed of transfer compare to a regular hard drive or switch to RAID 1 for an efficient and securer data backup.

Features

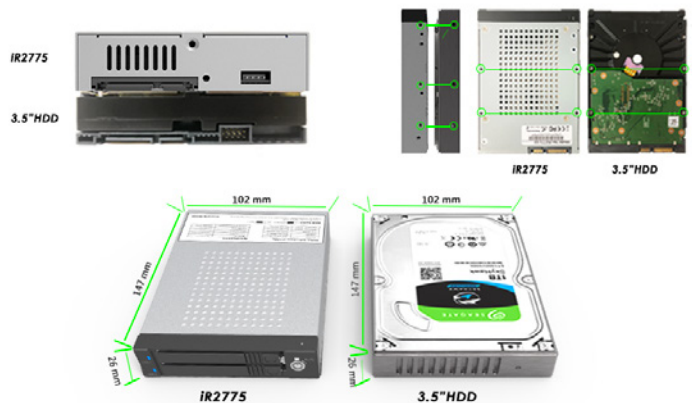
1. Fit 1 x Floppy Bay or 1 x 3.5" HDD drive space
2. For 2 x 2.5" SATA III HDD/SSD (9.5mm high)
3. Hardware RAID 0 / RAID 1
4. Convenient and secure extractable hard disk module
5. Hot-Swappable drive trays
6. Included software monitoring program



RAIDON

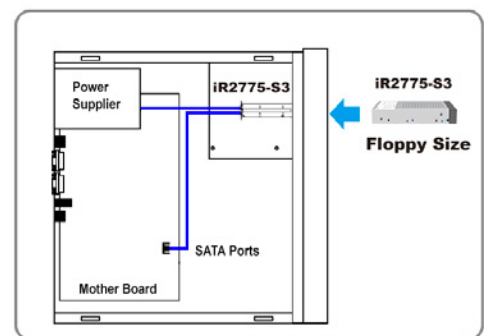
iR2775's dimension, screw holes and SATA connector's location exactly the same as a 3.5" hard drive.

RAIDON iR2775-S3 internal RAID module supports SATA III 6.0 Gb/s host interface and SATA 22 pin power supply; the connector's location exactly as the same as a 3.5" hard drive. Thus, it is not necessary to install any other brackets but just install the iR2775-S3 inside to existing operating system and then the system will be upgraded as a RAID storage!



System Upgrade with Ease

Install iR2775-S3 to the floppy or standard 3.5" hard drive slot, your system will become the one with RAID function. If you want to upgrade your system with RAID function but the system does not have another free space, the iR2775-S3 will be the best solution for you.



Included software monitoring program to easily view hard disk status

For Windows users, a software RAIDGuide Manager monitoring program is also provided. It allows users to understand the RAID module and hard disk status more directly through the monitoring program. Even better, after setting the monitoring program, it will take the initiative to send letters to users when the hard disk fails. This instant notification allows users to be aware of the situation as soon as possible to remedy the situation faster.



Database Protection for Commercial Accounting System

Database Protection for Commercial Accounting System

Use the durable solid-state hard disk to install your server operating system and two hard disks with up to 2TB capacity at RAID 1 to protect accounting system databases long-term. Small and medium enterprises no longer need to worry about the unnecessary loss of accounting system data due to hard disk damage.





1. LED Indicator
2. Removable drive tray
3. HDD Tray Ejection
4. HDD tray key lock
5. Mute Button



1. 15 PIN Power Connector
2. SATA Port
3. RAID Switch

Technical Specification

iR2775-S3	
Interface	1 x SATA III (6Gbps) Ports
Compatible Drive	2 x 2.5" SATA III (6 Gbps) HDD/SSD (High : 9.5mm)
Storage Level	RAID 1 / RAID 0
Certification	CE/FCC
Operating System Support	Windows 7 or above, Linux
Electrical and Operating Requirements	<ul style="list-style-type: none"> • Line voltage: 12V + 5V DC • Operating temperature: 32° to 104° F (0° to 40° C) • Storage temperature: -4° to 116° F (-20° to 47° C) • Relative humidity: 5% to 95% non-condensing
Size	Heigh : 26 mm Width : 102 mm Depth : 147 mm
Product Code	EAN : 4713227440790 UPC : 884826505358
Carton	32 pcs per carton
Package Accessories	<ul style="list-style-type: none"> • iR2775-S3 x 1 (with 2.5" removable drive tray enclosed x 2) • Quick Installation Guide x 1 • Screws & Keys

