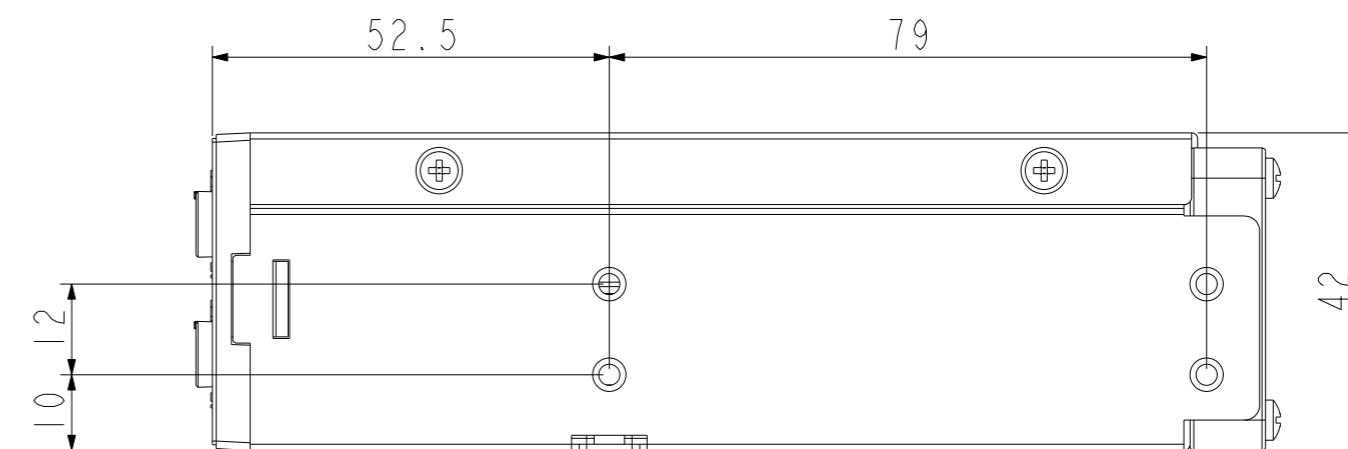
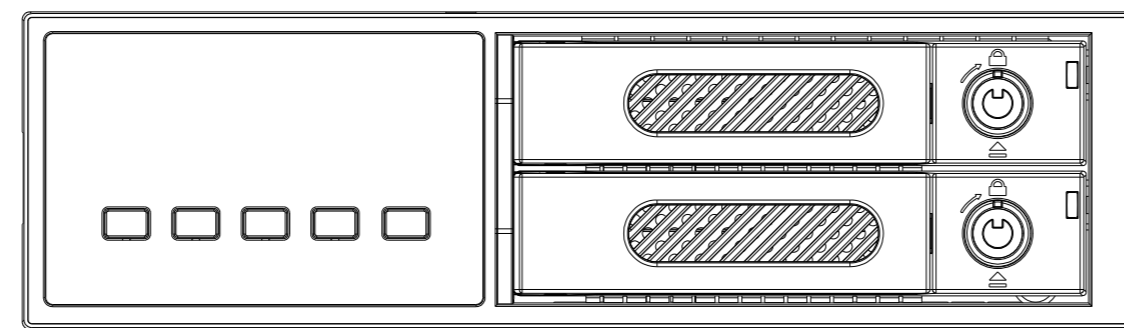
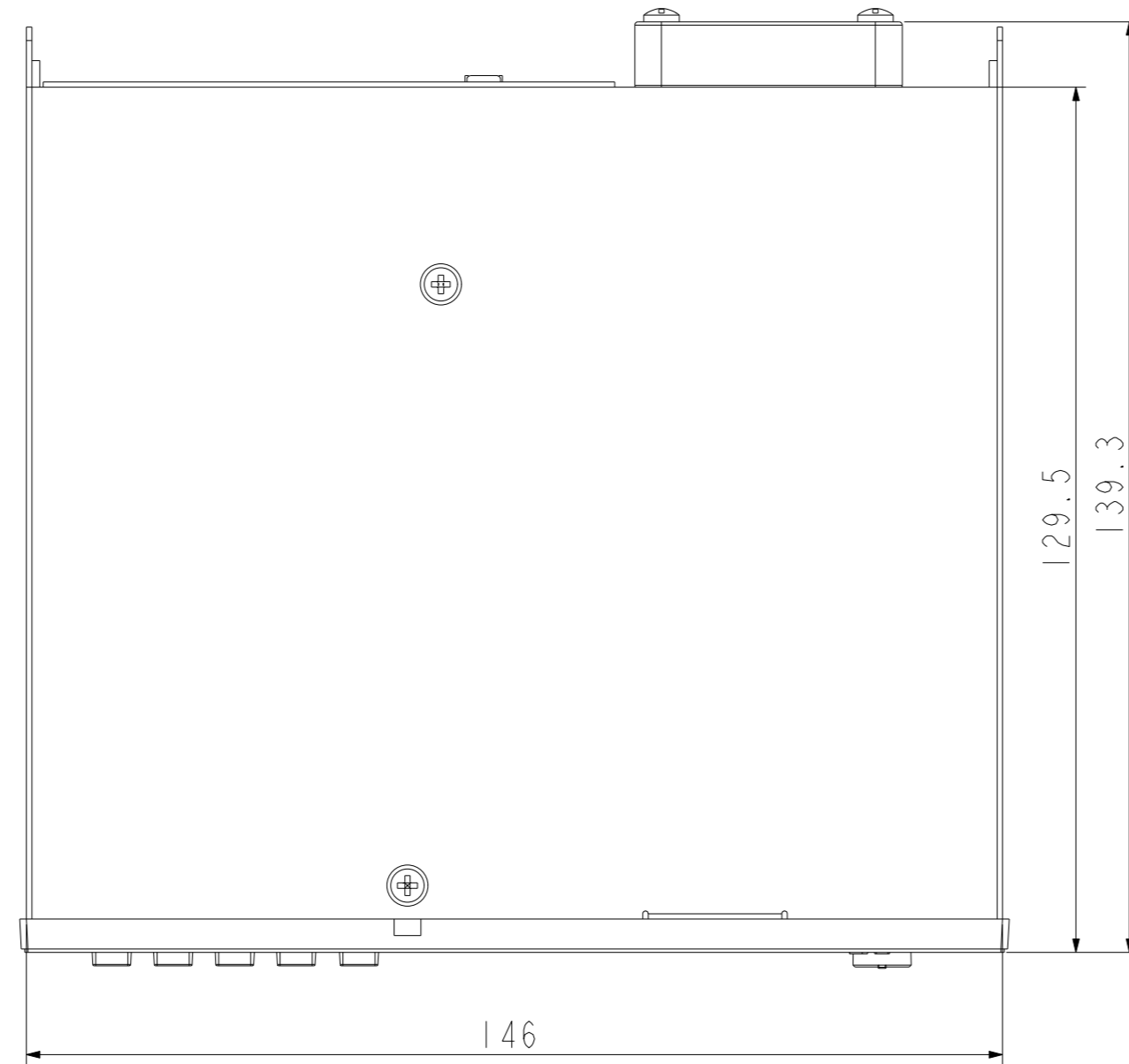


| Revision History |        |                 |                    |          |         |        |
|------------------|--------|-----------------|--------------------|----------|---------|--------|
| REV              | EC No. | DATE (yy/mm/dd) | UPDATE DESCRIPTION | DESIGNER | APPROVE | REMARK |
|                  |        |                 | As Shown           | -        |         |        |

# IR2022外觀尺寸圖



THIS DRAWING AND SPECIFICATIONS, HEREIN, ARE THE PROPERTY OF RAIDON INTERNATIONAL AND SHALL NOT BE REPRODUCED, COPIED, OR USED IN WHOLE OR IN PART AS THE BASIS FOR THE MANUFACTURE OR SALE OF ITEMS WITHOUT WRITTEN PERMISSION, RAIDON INTERNATIONAL.

|                 |  |  |  |            |  |  |  |             |  |     |     |
|-----------------|--|--|--|------------|--|--|--|-------------|--|-----|-----|
| MATERIAL (SPEC) |  |  |  | SCALE      |  | RAIDON <span style="color: red;">CONFIDENTIAL</span> |  |             |  |     |     |
| FINISH          |  |  |  | 1:1 [.]    |  |  |  |             |  |     |     |
| SELECT V        |  |  |  | UNIT       |  | DESCRIPTION  |  |             |  |     |     |
| DIM TOL         |  |  |  | mm         |  | iR2022   |  |             |  |     |     |
| D               |  |  |  | SHEET      |  | MODEL NO.  |  | PART NO.    |  | REV | VER |
| 0-5             |  |  |  | 1 of 1     |  | iR2022   |  | IR2022-0000 |  | 1.0 |     |
| 6-10            |  |  |  |            |  |  |  |             |  |     |     |
| 11-50           |  |  |  |            |  |  |  |             |  |     |     |
| 50-100          |  |  |  |            |  |  |  |             |  |     |     |
| 101+            |  |  |  |            |  |  |  |             |  |     |     |
|                 |  |  |  | SHEET SIZE |  | DESIGNER   |  | APPROVED    |  |     |     |
|                 |  |  |  | A2         |  |  |  |             |  |     |     |