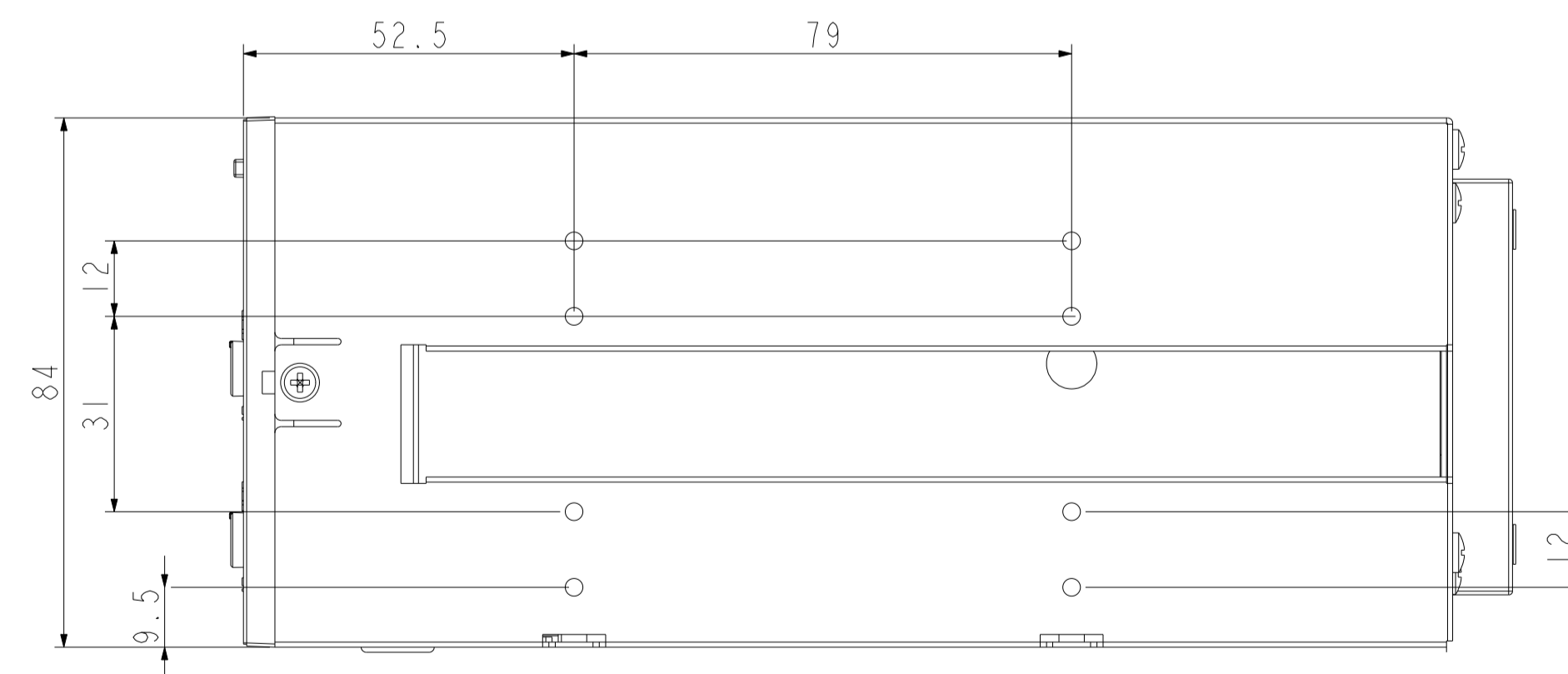
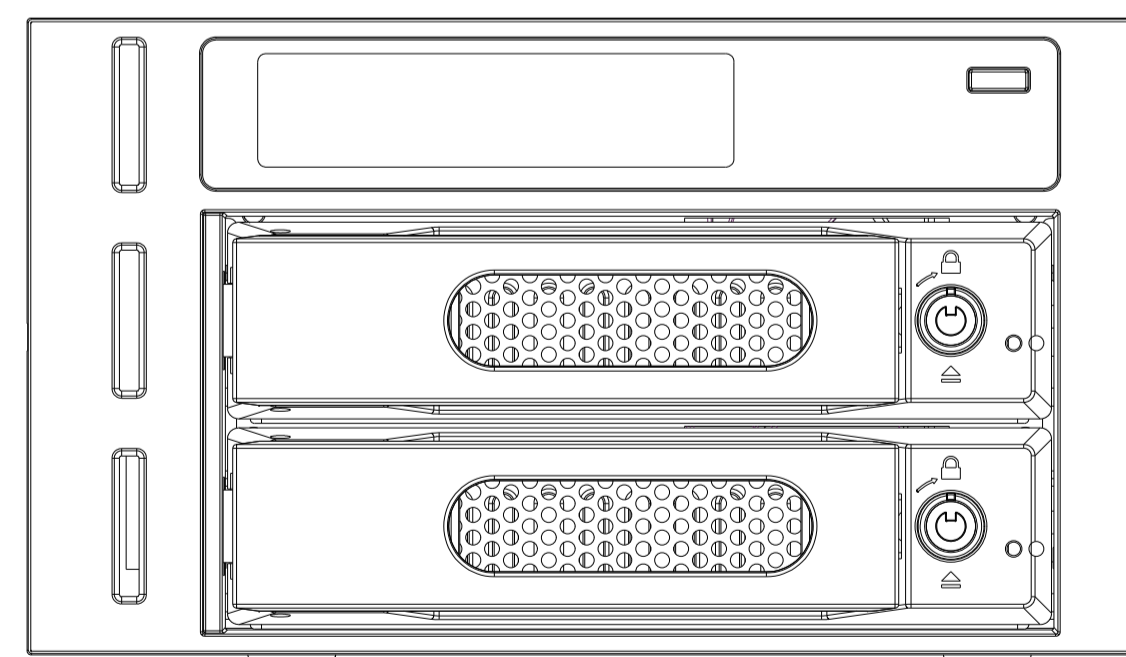
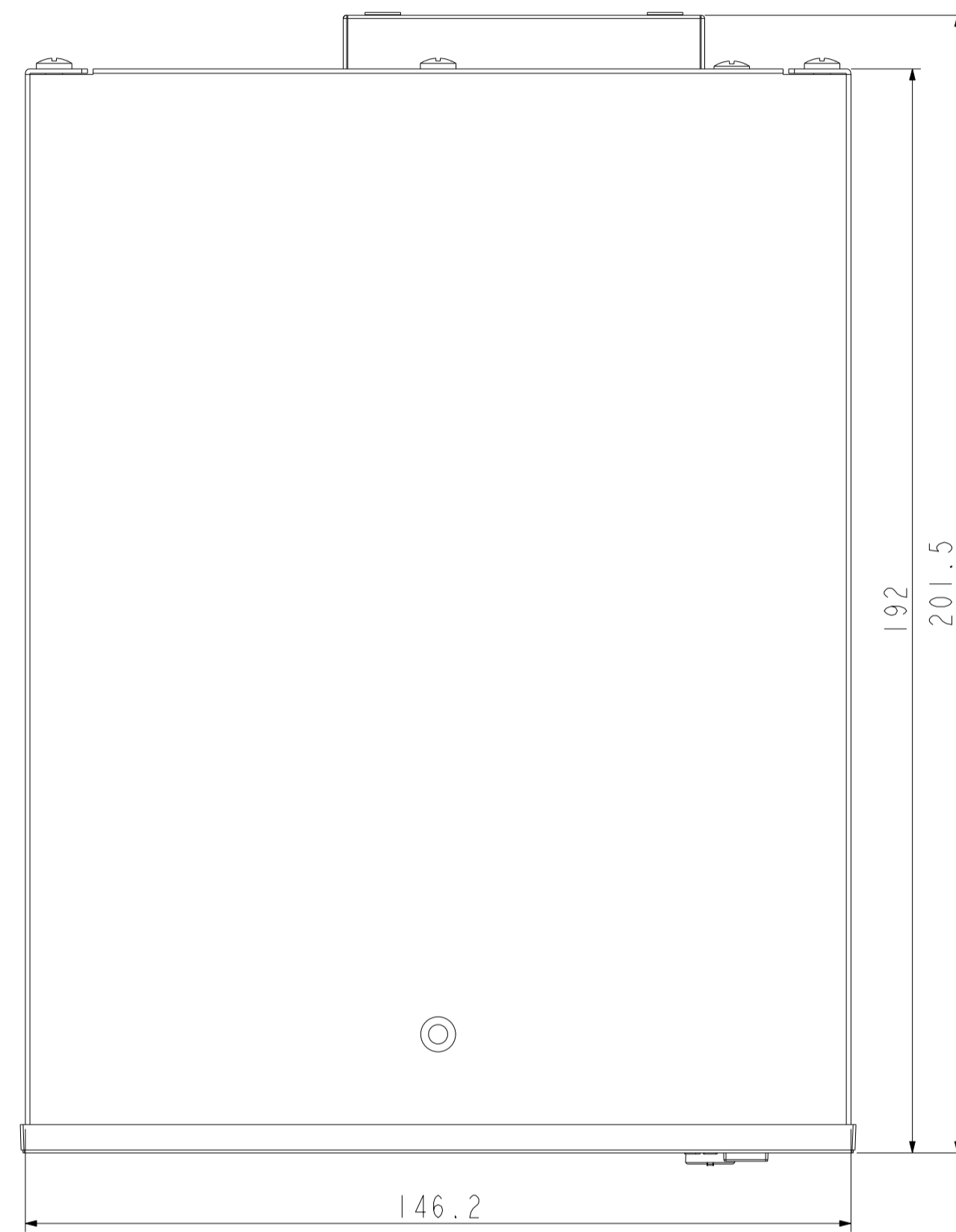


Revision History					DESIGNER	APPROVE	REMARK
REV	EC No.	DATE(yy/mm/dd)	UPDATE DESCRIPTION				
			As Shown				

IR2622外觀尺寸圖



THIS DRAWING AND SPECIFICATIONS, HEREIN, ARE THE PROPERTY OF RAIDON INTERNATIONAL AND SHALL NOT BE REPRODUCED, COPIED, OR USED IN WHOLE OR IN PART AS THE BASIS FOR THE MANUFACTURE OR SALE OF ITEMS WITHOUT WRITTEN PERMISSION, RAIDON INTERNATIONAL.

MATERIAL (SPEC)				SCALE		RAIDON CONFIDENTIAL					
FINISH		ANGLE		1:1 (1.1)							
		0°-30° ±1°		UNIT		DESCRIPTION					
		31°-60° ±3°		mm		IR2622					
		61°-90° ±5°		SHEET		MODEL NO.		PART NO.		REV	VER
SELECT V				1 of 1		IR2622		IR2622-0000		1.0	
DIM TOL	A	B	C			SHEET SIZE		DESIGNER		APPROVED	
0-5	±0.02	±0.05	±0.1			A1					
6-10	±0.05	±0.1	±0.15								
11-50	±0.1	±0.15	±0.20								
50-100	±0.15	±0.2	±0.25								
101+	±0.15%	±0.2%	±0.25%								