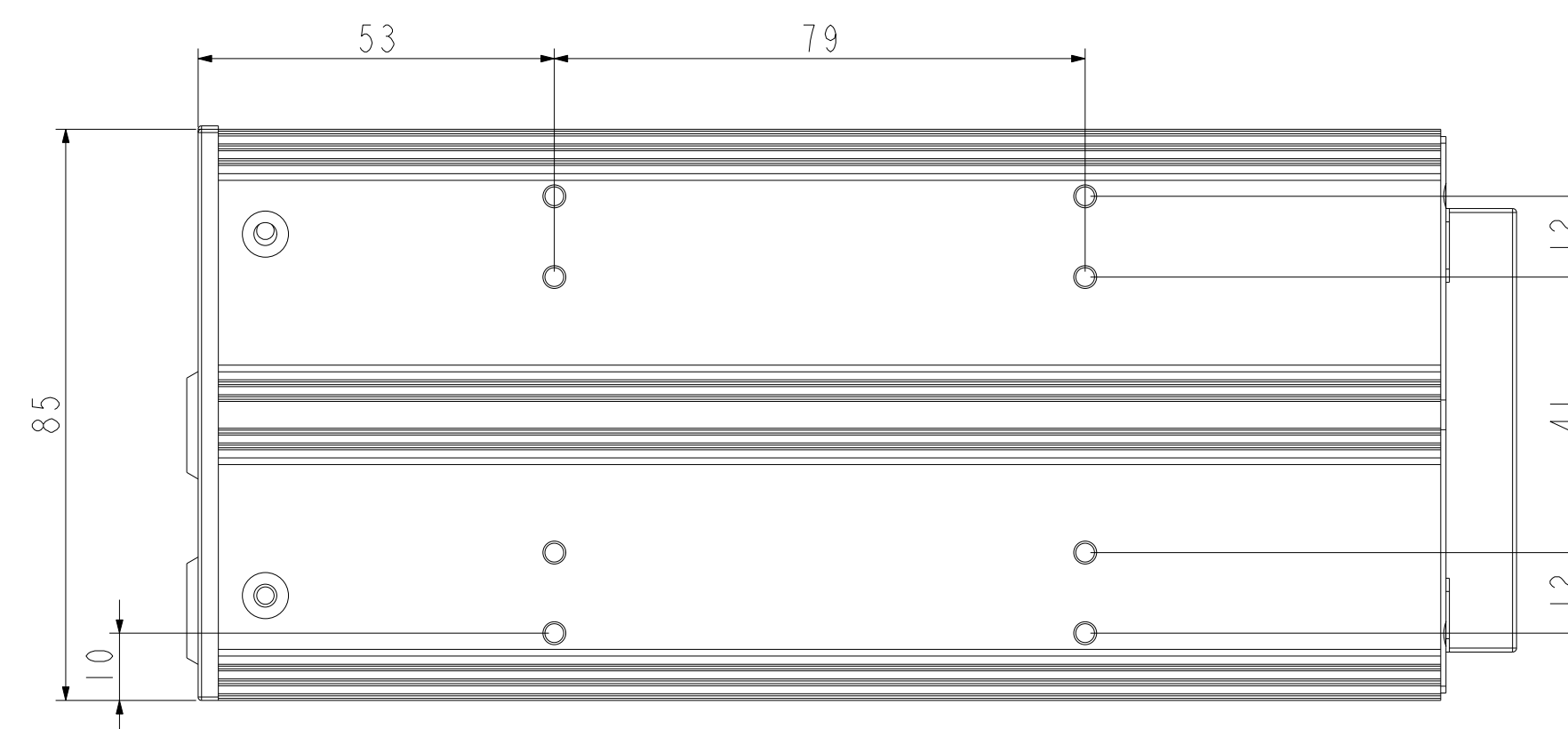
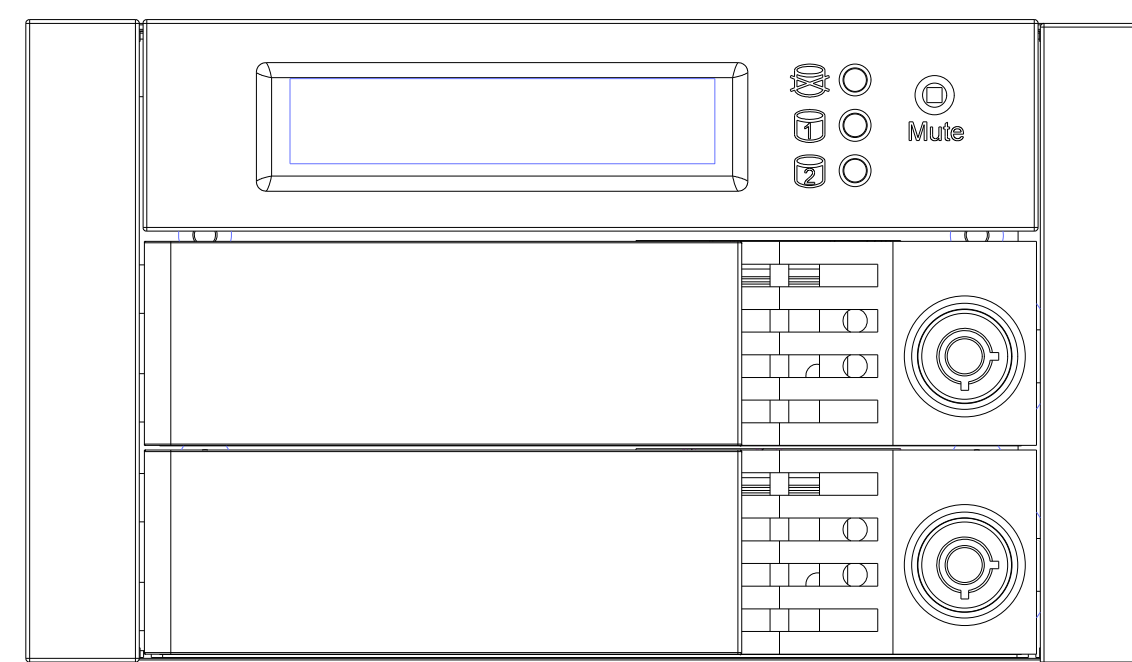
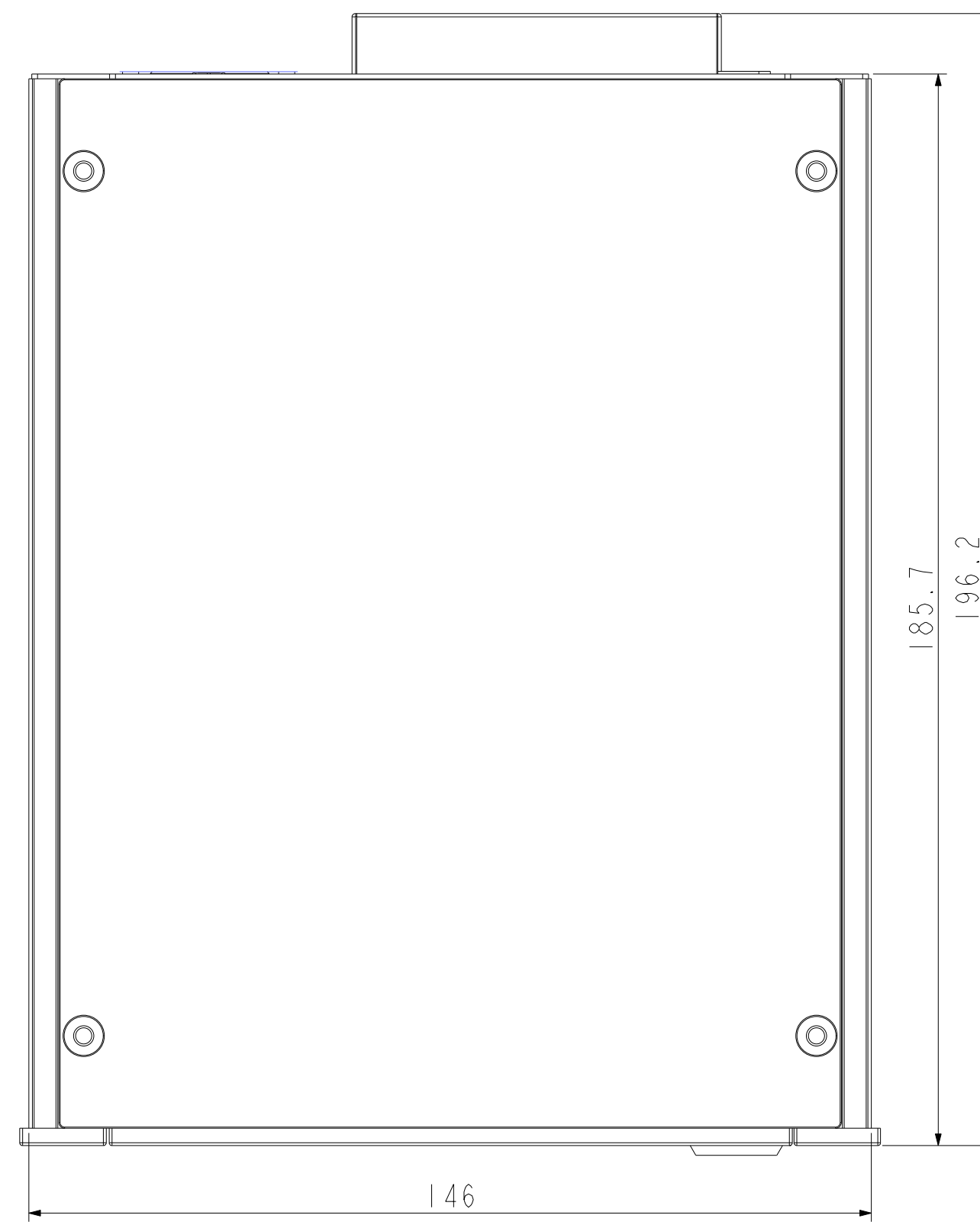


Revision History					DESIGNER	APPROVE	REMARK
REV	EC No.	DATE(yy/mm/dd)	UPDATE DESCRIPTION				
			As Shown				

# SR2611外觀尺寸圖



THIS DRAWING AND SPECIFICATIONS, HEREIN, ARE THE PROPERTY OF RAIDON INTERNATIONAL AND SHALL NOT BE REPRODUCED, COPIED, OR USED IN WHOLE OR IN PART AS THE BASIS FOR THE MANUFACTURE OR SALE OF ITEMS WITHOUT WRITTEN PERMISSION, RAIDON INTERNATIONAL.

MATERIAL (SPEC)				SCALE		RAIDON <i>CONFIDENTIAL</i>			
FINISH		ANGLE		1:1 (1.1)		DESCRIPTION			
		0°-30° ±1°		UNIT		SR2611-2S-S2R/SR2611-2S-S2R+ (6G)			
		31°-60° ±3°		mm					
		61°-90° ±5°		SHEET		MODEL NO. PART NO. REV VER			
SELECT V					1 of 1	SR2611	SR2611-0000/SR2611-0001	1.0	
DIM TOL	A	B	C	D	SHEET SIZE		DESIGNER		APPROVED
0-5	±0.02	±0.05	±0.1	±0.2	A1				
6-10	±0.05	±0.1	±0.15	±0.3					
11-50	±0.1	±0.15	±0.20	±0.5					
50-100	±0.15	±0.2	±0.25	±1					
101+	±0.15%	±0.2%	±0.25%	±1.0%					