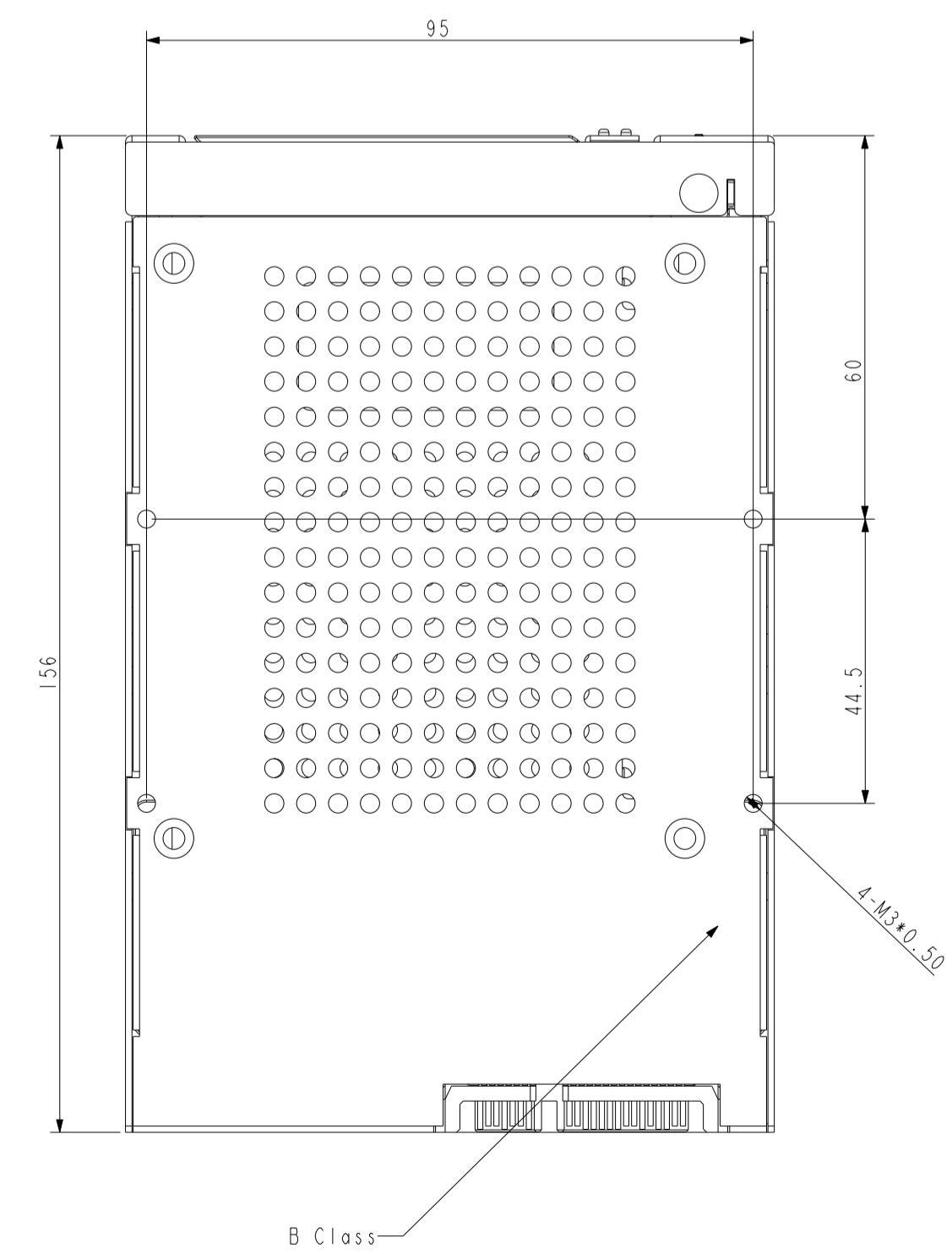
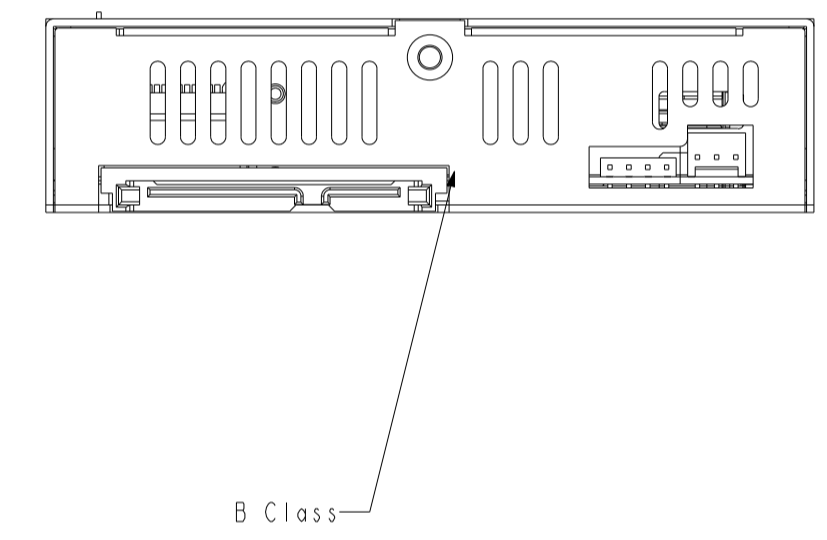
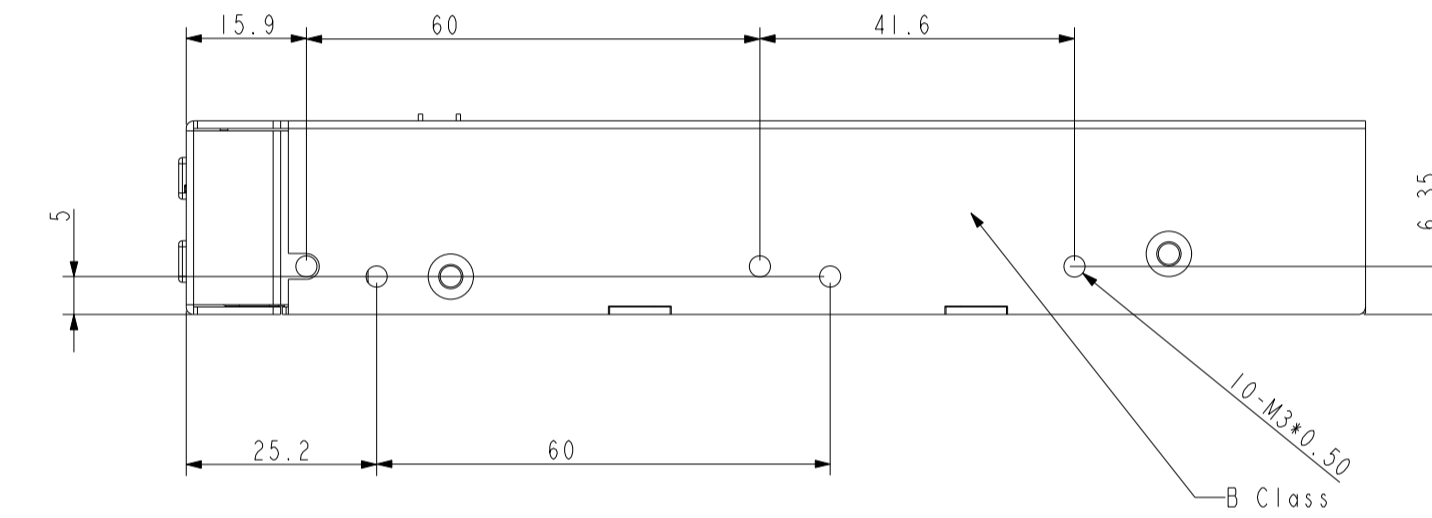
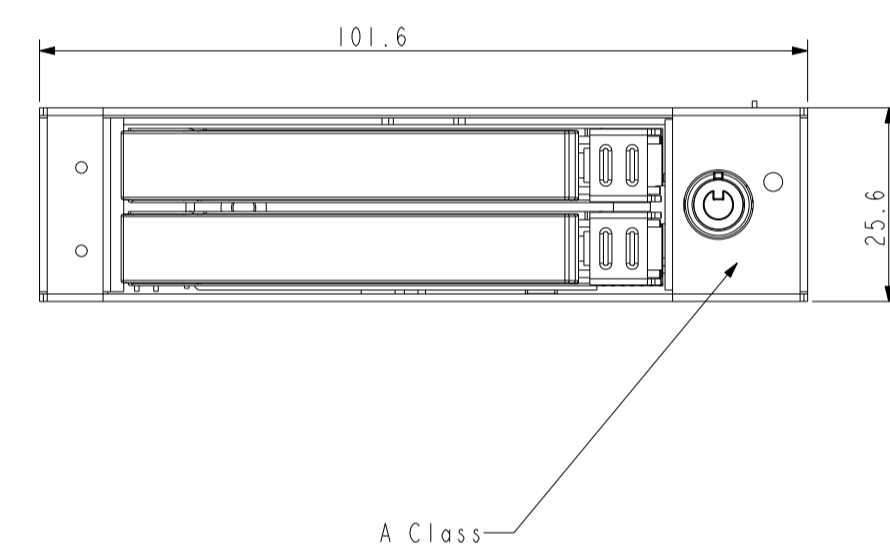
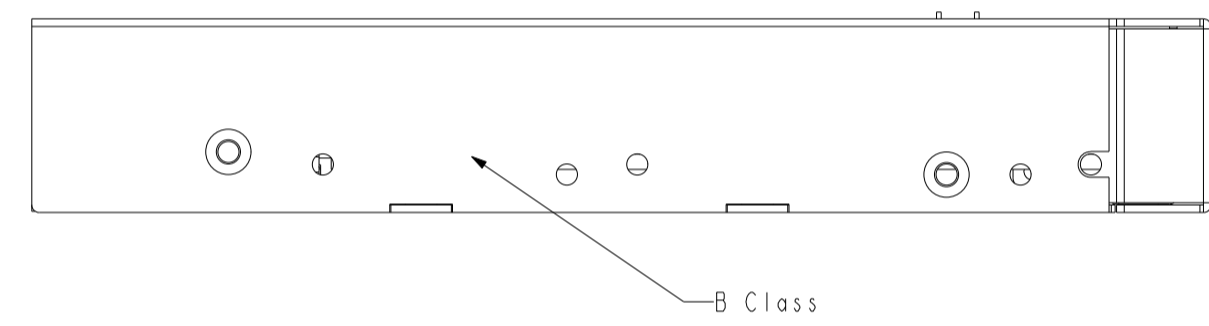
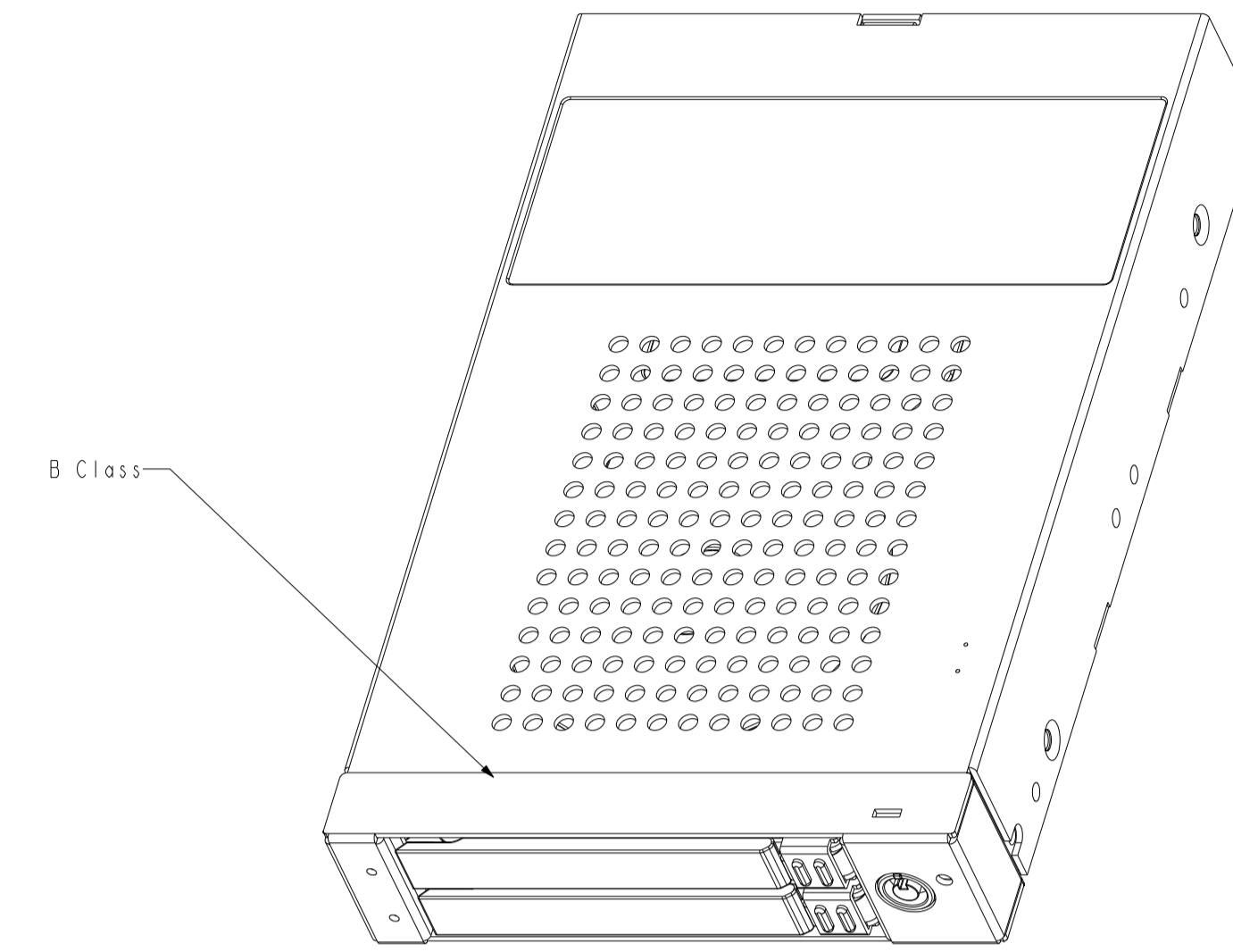


Revision History				DESIGNER	APPROVE	REMARK
REV	EC No.	DATE(yy/mm/dd)	UPDATE DESCRIPTION	Calvin		
			As Shown			



THIS DRAWING AND SPECIFICATIONS, HEREIN, ARE THE PROPERTY OF RAIDON INTERNATIONAL AND SHALL NOT BE REPRODUCED, COPIED, OR USED IN WHOLE OR IN PART AS THE BASIS FOR THE MANUFACTURE OR SALE OF ITEMS WITHOUT WRITTEN PERMISSION, RAIDON INTERNATIONAL.

MATERIAL (SPEC) ASSY		SCALE 1:1(1.1)		RAIDON CONFIDENTIAL	
FINISH		ANGLE			
SELECT V		UNIT mm		MODEL NO. 1R2771-S3	
DIM TOL		SHEET 1 of 1		PART NO. -	
REVISION		SHEET SIZE A1		REV 1.0	
DESIGNER Calvin		APPROVED		VER	